

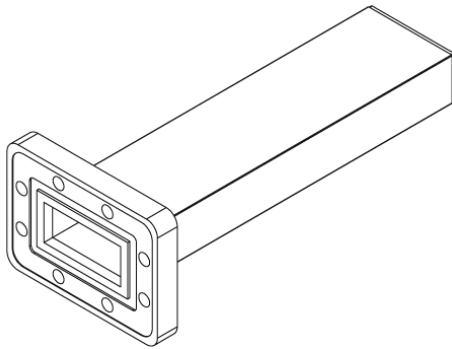


Model Number:  
**WGLCX-XXXX-197060**

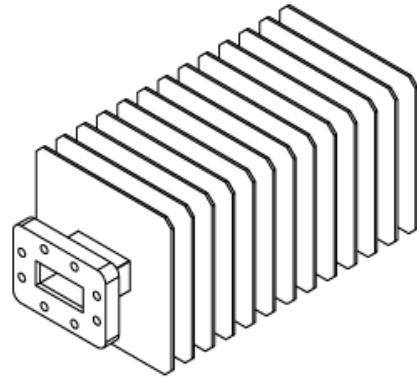
RF Components

# C-Band Waveguide Load / Termination

5.85 - 8.2 GHz



Test Voltage / 15W



250 / 400 / 500 / 1500W

Specification						
Waveguide Size	WG14 / WR137 / R70					
Frequency	5.85 - 8.2GHz					
Material	Brass / Aluminium					
Max Power (detailed in model number)	Test Voltage Only	15W	250W	400W	500W	1500W
VSWR / Return Loss	1.02:1/ 40 dB	1.1/26.4 dB				
Waveguide Flanges	CPR 137G (CG) / CPR 137F (CF) PDR 70 (PD) / UDR 70 (UD) UG344/U (US) / UAR 70 (UA) / PAR 70 (PA) UG343B/U (UG) / UG344/U (UF)					
Finish	Black Paint					

Model Numbers Example WGLCB-0500-197060-CF				
WGLC	B	0500	197060	CF
Waveguide Load	A—Aluminium B— Brass	Maximum Power (W) i.e 500W	Model Number	Waveguide Flange

## Broadcast



## Marine Oil & Gas



## SNG & VSAT



## Satellite Teleport

